

## ME25 & MV25 Series

# HAND PALLET TRUCK

2.5 tonnes

## ROBUST AND RELIABLE A WAREHOUSE WORKHORSE

Simple and effective in retail and warehousing applications, our hand pallet trucks have been designed to work hard and give long-lasting performance with minimal servicing. ME25 models are our premium pallet trucks which have been designed in European markets for European markets. MV25 models are also available as an economical alternative.

### SPECIFICATIONS

ME25HNSN	ME25MNSN	ME25MRTP	MV25MPSP	MV25IRTP
ME25IPTP	ME25MNTN	ME25WPTP	MV25MRTP	MV25H RTP
ME25JNSN	ME25MPSP	MV25MNTN	MV25MPTP	MV25OPSP
ME25JPTP	ME25MPTP	MV25MNSN	MV25IPTP	MV25ORTP
ME25LPTP				



**WHEN  
RELIABILITY IS  
EVERYTHING...**

# ME25 & MV25 Series HAND PALLET TRUCK

2.5 tonnes



## FORKS

- **Rounded tips**  
Tip rollers for easy pallet entry.
- **Rising forks**  
Minimum height: 85mm. Maximum height: 200mm. (MV25 models)

## FRAME AND BODY

- **Wide range of wheels**  
Available for use in various applications, along with customised designs to suit your application. (ME25 models)
- **Durable chassis**  
Powder coating phosphate pre-treatment on heavy-gauge steel gives enhanced corrosion protection and improved friction properties when handling loads.
- **High Stability**  
High stability due to the design of the compound wheel connector sets, swing arms, and levers. (ME25 models)
- **210-degree turning radius**  
Exceptional movement in tight spaces. (ME25 models)
- **Integrated ABCF pump**  
Heavy-duty construction for durability and features overload protection and foot pedal. (540 x 1150 MV25 models)

## OPERATOR CONTROLS

- **Infinitely variable speed control**  
Specially designed valve allows precise control of lowering speed via the release handle. (ME25 models)
- **Polyurethane handle**  
Ergonomically shaped and highly durable. User-friendly lever design of all sizes. Temperature remains stable to touch even in hot and cold conditions. (ME25 models)
- **Ergonomic handle**  
Comfortable design to suit a range of hand sizes. Tough coating for a long life. (MV25 models)
- **Control lever**  
Lever features three operating positions: raise, lower, and neutral. (MV25 models)

## STEERING SYSTEM

- **Self-lubricating slide bearings**  
These are used in all rotary and swinging connections for maximum durability. (ME25 models)

## OTHER FEATURES

- **2 years full warranty**  
Offers extra peace of mind in the unlikely event of a failure. (ME25 models)
- **Multiple configurations and fork sizes available**  
Choice of models to suit different pallet sizes and applications. (ME25 models)
- **Stainless steel versions**  
These are specially designed for the food industry. (ME25 models)

For more information  
on hand pallet trucks  
please visit our website



[mft2.eu/mv25](http://mft2.eu/mv25)

# VDI - PERFORMANCE & DIMENSIONS

CHARACTERISTICS			Mitsubishi Forklift Trucks					
			ME25HNSN	ME25IPTP	ME25JNSN	ME25JPTP	ME25LPTP	ME25MNSN
1.1	Manufacturer		Pedestrian					
1.2	Manufacturer's model designation							
1.4	Operator type							
1.5	Load capacity	Q (kg)	2500	2500	2500	2500	2500	2500
1.6	Load centre distance	c (mm)	600	600	600	600	600	600
1.8	Load wheel axle to fork face (forks lowered)	x (mm)	980	830	1050	1050	430	980
1.9	Wheelbase	y (mm)	1205	1055	1275	1275	655	1205
WEIGHT								
2.1	Truck weight without load, with maximum battery weight	kg	62	65	76	80	53	59
WHEELS, DRIVE TRAIN								
3.1	Tyres: PT = Power Thane, Vul = Vulkollan, P = Polyurethane, N = Nylon, R = Rubber drive / load side		N,N	P,P	N,N	P,P	P,P	N,N
3.2	Tyre dimensions, drive side	(mm)	200	200	200	200	200	200
3.3	Tyre dimensions, load side	(mm)	82	82	82	82	82	82
3.4	Castor wheel dimensions (diameter x width)	(mm)	2/2	2/4	2/2	2/4	2/4	2/2
3.6	Track width (centre of tyres), drive side	b10 (mm)	132	132	132	132	132	132
3.7	Track width (centre of tyres), load side	b11 (mm)	360	360	360	360	360	360
DIMENSIONS								
4.4	Lift height	h3 (mm)	115	115	115	115	115	115
4.9	Height of tiller arm / steering console (min/max)	h14 (mm)	1170	1170	1170	1170	1170	1170
4.15	Fork height, fully lowered	h13 (mm)	85	85	85	85	85	85
4.19	Overall length	l1 (mm)	1500	1350	1570	1570	950	1500
4.20	Length to fork face	l2 (mm)	350	350	350	350	350	350
4.21	Overall width	b1/b2 (mm)	685	685	685	685	520	520
4.22	Fork dimensions (thickness, width, length)	s / e / l (mm)	50/160/1150	50/160/1000	50/160/1220	50/160/1220	50/160/600	50/160/1150
4.25	Outside width over forks (minimum / maximum)	b5 (mm)	685	685	685	685	520	520
4.32	Ground clearance at centre of wheelbase, (forks lowered)	m2 (mm)	35	35	35	35	35	35
4.33b	Working aisle width (Ast3) with 1000 x 1200 mm pallets, load crosswise	Ast3 (mm)	1575	1425	1645	1645	1425	1575
4.34b	Working aisle width (Ast3) with 800 x 1200 mm pallets, load lengthwise	Ast3 (mm)	1625	1625	1645	1645	1625	1625
4.35	Turning radius	Wa (mm)	1205	1055	1275	1275	655	1205

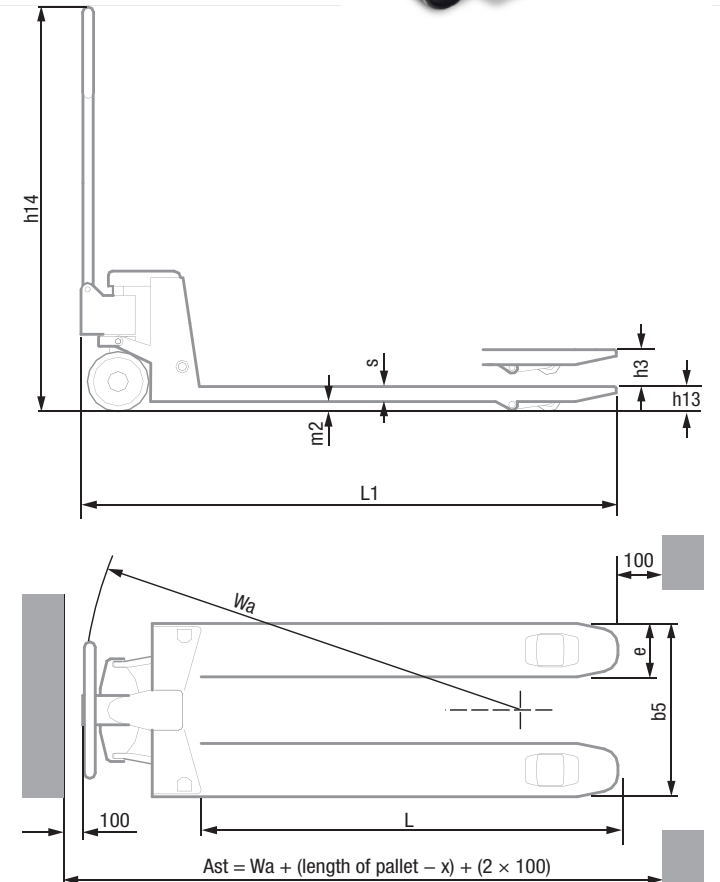
MODEL	FORK DIMENSIONS WxL (mm)	LOAD WHEELS (80mm)	DRIVE WHEEL (200mm)
ME25LPTP	520 X 600	4x (Tandem) Polyurethane	2x Polyurethane
ME25WPTP	520 X 1000	4x (Tandem) Polyurethane	2x Polyurethane
ME25MNTN	520 X 1150	4x (Tandem) Nylon	2x Nylon
ME25MNSN		2x (Single) Nylon	2x Nylon
ME25MPSP	520 X 1150	2x (Single) Polyurethane	2x Polyurethane
ME25MRTP		4x (Tandem) Polyurethane	2x Rubber
ME25MPTP		4x (Tandem) Polyurethane	2x Polyurethane
ME25IPTP	685 X 1000	4x (Tandem) Polyurethane	2x Polyurethane
ME25HNSN	685 X 1150	2x (Single) Nylon	2x Nylon
ME25JPTP	685 X 1220	4x (Tandem) Polyurethane	2x Polyurethane
ME25JNSN		2x (Single) Nylon	2x Nylon

Other configurations available on request.

## HAND PALLET TRUCKS

### ME25 Series

2.5 tonnes



# VDI - PERFORMANCE & DIMENSIONS

CHARACTERISTICS			Mitsubishi Forklift Trucks				
1.1	Manufacturer		Mitsubishi Forklift Trucks	Mitsubishi Forklift Trucks	Mitsubishi Forklift Trucks	Mitsubishi Forklift Trucks	Mitsubishi Forklift Trucks
1.2	Manufacturer's model designation		ME25MNTN	ME25MPSP	ME25MPTP	ME25MRTP	ME25WPTP
1.4	Operator type		Pedestrian				
1.5	Load capacity	Q (kg)	2500	2500	2500	2500	2500
1.6	Load centre distance	c (mm)	600	600	600	600	600
1.8	Load wheel axle to fork face (forks lowered)	x (mm)	980	980	980	980	830
1.9	Wheelbase	y (mm)	1205	1205	1205	1205	1055
WEIGHT							
2.1	Truck weight without load, with maximum battery weight	kg	63	60	63	64	61
WHEELS, DRIVE TRAIN							
3.1	Tyres: PT = Power Thane, Vul = Vulkollan, P = Polyurethane, N = Nylon, R = Rubber drive / load side		N,N	P,P	P,P	R,P	P,P
3.2	Tyre dimensions, drive side	(mm)	200	200	200	200	200
3.3	Tyre dimensions, load side	(mm)	82	82	82	82	82
3.4	Castor wheel dimensions (diameter x width)	(mm)	2/4	2/2	2/4	2/4	2/4
3.6	Track width (centre of tyres), drive side	b10 (mm)	132	132	132	132	132
3.7	Track width (centre of tyres), load side	b11 (mm)	360	360	360	360	360
DIMENSIONS							
4.4	Lift height	h3 (mm)	115	115	115	115	115
4.9	Height of tiller arm / steering console (min/max)	h14 (mm)	1170	1170	1170	1170	1170
4.15	Fork height, fully lowered	h13 (mm)	85	85	85	85	85
4.19	Overall length	l1 (mm)	1500	1500	1500	1500	1350
4.20	Length to fork face	l2 (mm)	350	350	350	350	350
4.21	Overall width	b1/b2 (mm)	520	520	520	520	520
4.22	Fork dimensions (thickness, width, length)	s / e / l (mm)	50/160/1150	50/160/1150	50/160/1150	50/160/1150	50/160/1000
4.25	Outside width over forks (minimum / maximum)	b5 (mm)	520	520	520	520	520
4.32	Ground clearance at centre of wheelbase, (forks lowered)	m2 (mm)	35	35	35	35	35
4.33b	Working aisle width (Ast3) with 1000 x 1200 mm pallets, load crosswise	Ast3 (mm)	1575	1575	1575	1575	1425
4.34b	Working aisle width (Ast3) with 800 x 1200 mm pallets, load lengthwise	Ast3 (mm)	1625	1625	1625	1625	1625
4.35	Turning radius	Wa (mm)	1205	1205	1205	1205	1055

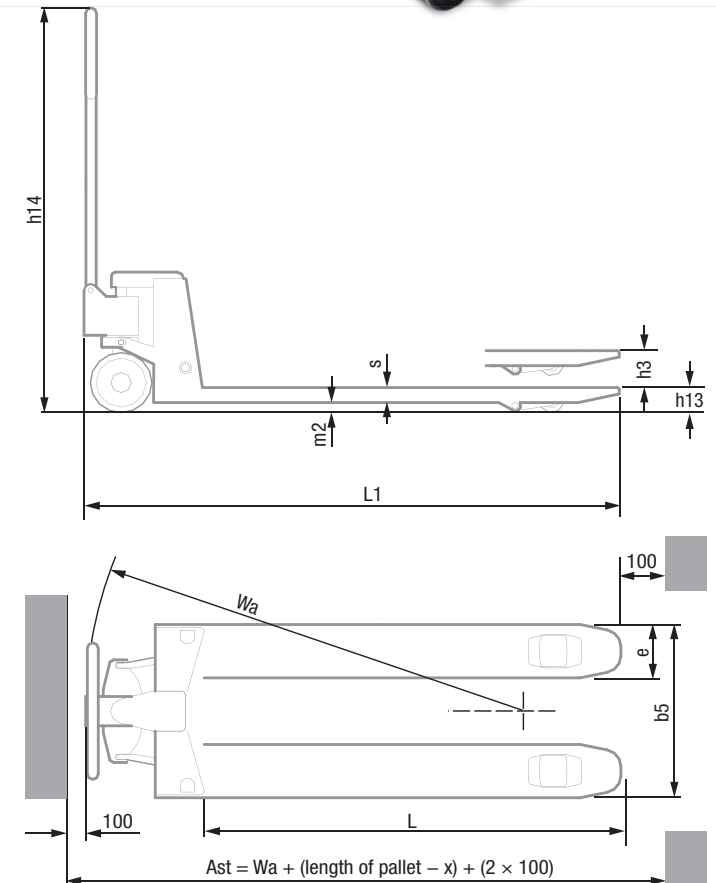
MODEL	FORK DIMENSIONS WxL (mm)	LOAD WHEELS (80mm)	DRIVE WHEEL (200mm)
ME25LPTP	520 X 600	4x (Tandem) Polyurethane	2x Polyurethane
ME25WPTP	520 X 1000	4x (Tandem) Polyurethane	2x Polyurethane
ME25MNTN	520 X 1150	4x (Tandem) Nylon	2x Nylon
ME25MNSN		2x (Single) Nylon	2x Nylon
ME25MPSP		2x (Single) Polyurethane	2x Polyurethane
ME25MRTP		4x (Tandem) Polyurethane	2x Rubber
ME25MPTP		4x (Tandem) Polyurethane	2x Polyurethane
ME25IPTP	685 X 1000	4x (Tandem) Polyurethane	2x Polyurethane
ME25HNSN	685 X 1150	2x (Single) Nylon	2x Nylon
ME25JPTP	685 X 1220	4x (Tandem) Polyurethane	2x Polyurethane
ME25JNSN		2x (Single) Nylon	2x Nylon

Other configurations available on request.

## HAND PALLET TRUCKS

### ME25 Series

2.5 tonnes



# VDI - PERFORMANCE & DIMENSIONS

CHARACTERISTICS			Mitsubishi Forklift Trucks				
			MV25MNTN	MV25MNSN	MV25MPSP	MV25MRTP	MV25MPTP
1.1	Manufacturer		Pedestrian				
1.2	Manufacturer's model designation						
1.4	Operator type		Pedestrian				
1.5	Load capacity	Q (kg)	2500	2500	2500	2500	2500
1.6	Load centre distance	c (mm)	600	600	600	600	600
1.8	Load wheel axle to fork face (forks lowered)	x (mm)	43	43	43	43	43
1.9	Wheelbase	y (mm)	1180	1180	1180	1180	1180
WEIGHT							
2.1	Truck weight without load, with maximum battery weight	kg	69	68	71	71	72
WHEELS, DRIVE TRAIN							
3.1	Tyres: PT = Power Thane, Vul = Vulkollan, P = Polyurethane, N = Nylon, R = Rubber drive / load side		NTN	NSN	PSP	RTP	PTP
3.2	Tyre dimensions, drive side	(mm)	200	200	200	200	200
3.3	Tyre dimensions, load side	(mm)	80	80	80	80	80
3.4	Castor wheel dimensions (diameter x width)	(mm)	2/4	2/2	2/2	2/4	2/4
3.6	Track width (centre of tyres), drive side	b10 (mm)	120	120	120	120	120
3.7	Track width (centre of tyres), load side	b11 (mm)	380	380	380	380	380
DIMENSIONS							
4.4	Lift height	h3 (mm)	115	115	115	115	115
4.9	Height of tiller arm / steering console (min/max)	h14 (mm)	680/1240	680/1240	680/1240	680/1240	680/1240
4.15	Fork height, fully lowered	h13 (mm)	85	85	85	85	85
4.19	Overall length	l1 (mm)	1545	1545	1545	1545	1545
4.20	Length to fork face	l2 (mm)	1150	1150	1150	1150	1150
4.21	Overall width	b1/b2 (mm)	540	540	540	540	540
4.22	Fork dimensions (thickness, width, length)	s / e / l (mm)	50, 160 & 1150	50, 160 & 1150	50, 160 & 1150	50, 160 & 1150	50, 160 & 1150
4.25	Outside width over forks (minimum / maximum)	b5 (mm)	540	540	540	540	540
4.32	Ground clearance at centre of wheelbase, (forks lowered)	m2 (mm)	85	85	85	85	85
4.33b	Working aisle width (Ast3) with 1000 x 1200 mm pallets, load crosswise	Ast3 (mm)	2350	2350	2350	2350	2350
4.34b	Working aisle width (Ast3) with 800 x 1200 mm pallets, load lengthwise	Ast3 (mm)	N/A	N/A	N/A	N/A	N/A
4.35	Turning radius	Wa (mm)	1380	1380	1380	1380	1380

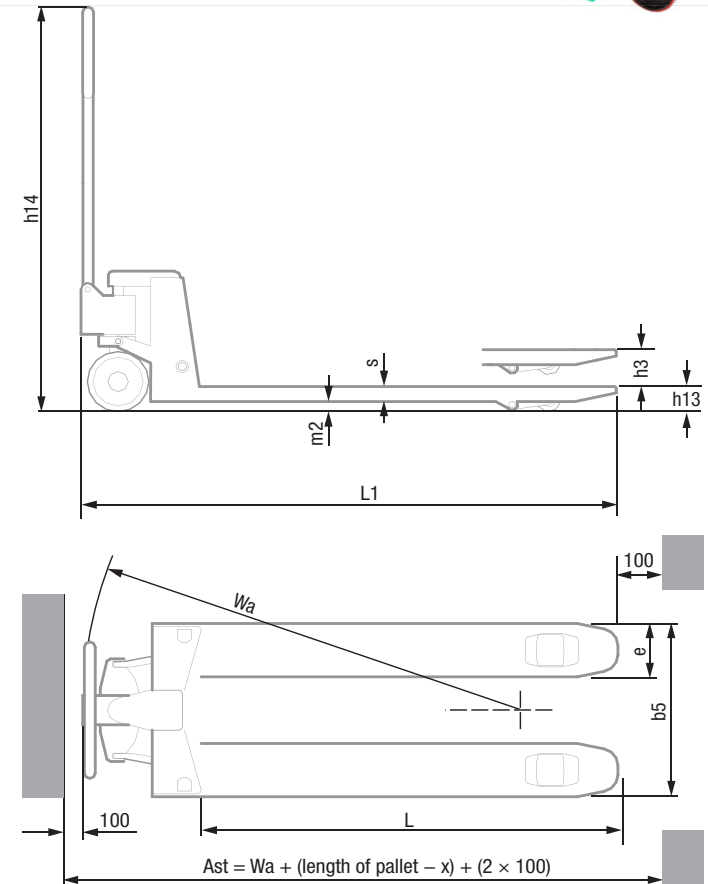
MODEL	FORK DIMENSIONS WxL (mm)	LOAD WHEELS (80mm)	DRIVE WHEEL (200mm*)
MV25MNTN	540 x 1150	4 x (Tandem) Nylon	2 x Nylon*
MV25MNSN		2 x (Single) Nylon	2 x Nylon*
MV25MPSP		2 x (Single) Polyurethane	2 x Polyurethane*
MV25MRTP		4 x (Tandem) Polyurethane	2 x Rubber*
MV25MPTP		4 x (Tandem) Polyurethane	2 x Polyurethane*
MV25IPTP (BF pump)	685 x 1000	4 x (Tandem) Polyurethane	2 x Polyurethane (180mm)
MV25IRTP (BF pump)	685 x 1000	4 x (Tandem) Polyurethane	2 x Rubber (180mm)

Other configurations available on request.

## HAND PALLET TRUCKS

### MV25 Series

2.5 tonnes



# VDI - PERFORMANCE & DIMENSIONS

CHARACTERISTICS			Mitsubishi Forklift Trucks				
			MV25IPTP	MV25IRTP	MV25H RTP	MV250PSP	MV250RTP
1.1	Manufacturer		Mitsubishi Forklift Trucks				
1.2	Manufacturer's model designation		MV25IPTP	MV25IRTP	MV25H RTP	MV250PSP	MV250RTP
1.4	Operator type		Pedestrian				
1.5	Load capacity	Q (kg)	2500	2500	2500	2500	2500
1.6	Load centre distance	c (mm)	550	550	600	400	400
1.8	Load wheel axle to fork face (forks lowered)	x (mm)	43	43	43	43	43
1.9	Wheelbase	y (mm)	1036	1036	1186	830	830
WEIGHT							
2.1	Truck weight without load, with maximum battery weight	kg	75	74	70	61	62
WHEELS, DRIVE TRAIN							
3.1	Tyres: PT = Power Thane, Vul = Vulkollan, P = Polyurethane, N = Nylon, R = Rubber drive / load side		PTP	RTP	RTP	PSP	RTP
3.2	Tyre dimensions, drive side	(mm)	180	180	180	200	200
3.3	Tyre dimensions, load side	(mm)	80	80	80	80	80
3.4	Castor wheel dimensions (diameter x width)	(mm)	2/4	2/4	2/4	2/2	2/4
3.6	Track width (centre of tyres), drive side	b10 (mm)	120	120	120	120	120
3.7	Track width (centre of tyres), load side	b11 (mm)	525	525	525	380	380
DIMENSIONS							
4.4	Lift height	h3 (mm)	115	115	115	115	115
4.9	Height of tiller arm / steering console (min/max)	h14 (mm)	550/1220	550/1220	550/1220	680/1220	680/1220
4.15	Fork height, fully lowered	h13 (mm)	85	85	85	85	85
4.19	Overall length	l1 (mm)	1405	1405	1545	1195	1195
4.20	Length to fork face	l2 (mm)	1000	1000	1150	800	800
4.21	Overall width	b1/b2 (mm)	685	685	685	540	540
4.22	Fork dimensions (thickness, width, length)	s / e / l (mm)	50, 160 & 1000	50, 160 & 1000	50, 160 & 1150	50, 160 & 800	50, 160 & 800
4.25	Outside width over forks (minimum / maximum)	b5 (mm)	685	685	685	540	540
4.32	Ground clearance at centre of wheelbase, (forks lowered)	m2 (mm)	85	85	85	85	85
4.33b	Working aisle width (Ast3) with 1000 x 1200 mm pallets, load crosswise	Ast3 (mm)	2200	2200	2350	1820	1820
4.34b	Working aisle width (Ast3) with 800 x 1200 mm pallets, load lengthwise	Ast3 (mm)	N/A	N/A	N/A	N/A	N/A
4.35	Turning radius	Wa (mm)	1225	1225	1375	1030	1030

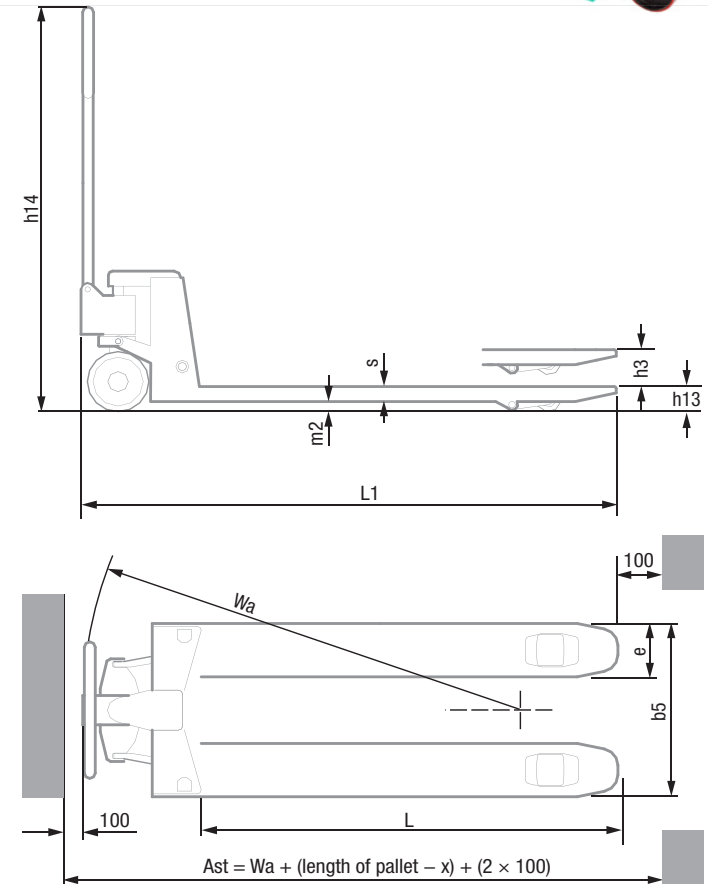
MODEL	FORK DIMENSIONS WxL (mm)	LOAD WHEELS (80mm)	DRIVE WHEEL (200mm*)
MV25MNTN	540 x 1150	4 x (Tandem) Nylon	2 x Nylon*
MV25MNSN		2 x (Single) Nylon	2 x Nylon*
MV25MPSP		2 x (Single) Polyurethane	2 x Polyurethane*
MV25MRTP		4 x (Tandem) Polyurethane	2 x Rubber*
MV25MPTP		4 x (Tandem) Polyurethane	2 x Polyurethane*
MV25IPTP (BF pump)	685 x 1000	4 x (Tandem) Polyurethane	2 x Polyurethane (180mm)
MV25IRTP (BF pump)	685 x 1000	4 x (Tandem) Polyurethane	2 x Rubber (180mm)

Other configurations available on request.

## HAND PALLET TRUCKS

### MV25 Series

2.5 tonnes



# WHEN RELIABILITY IS EVERYTHING...



Like any product bearing the "MITSUBISHI" name our materials handling equipment benefits from the tremendous heritage, huge resources and cutting-edge technology of one of the world's largest corporations – Mitsubishi Heavy Industries Group.

Engineering spacecraft, jet planes, power plants and more, MHI specialises in those technologies where performance, dependability and superiority decide your success or failure...

So when we promise you quality, reliability and value for money, you know it's a guarantee we have the power to deliver.

That's why every model in our award-winning and comprehensive range of lift trucks and warehouse equipment is built to a high specification – to ensure it keeps working for you. Day after day. Year after year. Whatever the job. Whatever the conditions.

## YOU'LL NEVER WORK ALONE

As your local authorised dealer, we are here to keep your trucks working – through our extensive experience, our technical excellence and our commitment to customer care.

We are your local experts, backed by efficient channels to the entire organisation of Mitsubishi Forklift Trucks.

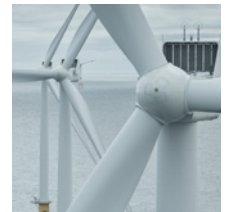
No matter where you are, we are close by – with the capability to meet your needs.

Discover how Mitsubishi Forklift Trucks give you more from your local authorised dealer or when you visit our website [www.mitforklift.com](http://www.mitforklift.com)

Performance specifications may vary depending on standard manufacturing tolerances, vehicle condition, types of tyres, floor or surface conditions, applications or operating environment. Trucks may be shown with non-standard options. Specific performance requirements and locally available configurations should be discussed with your distributor of Mitsubishi forklift trucks. We follow a policy of continual product improvement. For this reason, some materials, options and specifications could change without notice.

[info@mitforklift.com](mailto:info@mitforklift.com)

WESM2282 (08/22) © 2022 MLE



Mitsubishi Logisnext Europe B.V.  
Hefbrugweg 77, 1332 AM Almere  
The Netherlands  
Tel: +31 (0)36 5494 411



[mft2.eu/fb](http://mft2.eu/fb)



[mft2.eu/apps](http://mft2.eu/apps)



[mft2.eu/youtube](http://mft2.eu/youtube)



[mft2.eu/facebook](http://mft2.eu/facebook)

