

**MasterMover®**

# TOW200

Battery powered electric tow tug



# TOW200



## Overview

The MasterTow range of powerful, easy-to-use electric tow tugs, is ideally suited to towing heavy loads. The range uses its own weight to deliver consistent traction, enabling the effortless movement of loads both inside, outside and on slopes.

Boasting intuitive operator controls and safety built-in as standard, the range provides operators with complete control when moving heavy loads. With a simple and effective coupling system, the MasterTow

range guarantees load security and is perfectly suited to moving individual and multiple loads linked together.

Take advantage of innovative technology with Electric Steer (ES), available from the TOW600 ES upwards. With Electric Steer, benefit from instantaneous steering and added performance in adverse conditions. The MasterTow range is available with Remote Control, for maximum operator visibility, and Autonomous (AGV) solutions for maximum ROI, safety and efficiency.

## Key Features

### Safety

- Audible horn, flashing light beacon and emergency stop
- Machine crawl coupling assist for easy connection
- Multiple speed settings for complete control

### Performance

- Optimised weight distribution for guaranteed traction
- Start, move and stop movement on slopes
- Powerful performance delivers high torque even at low speeds

### Power

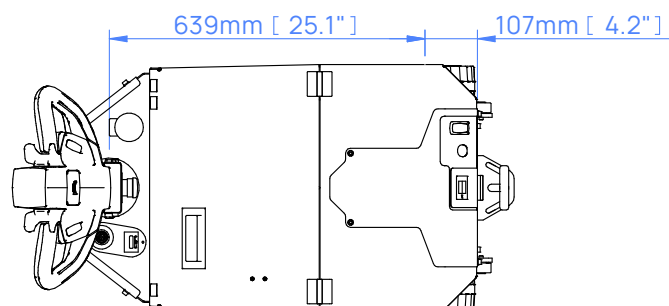
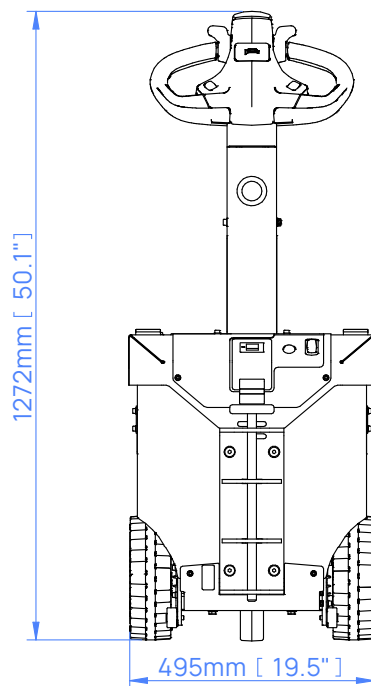
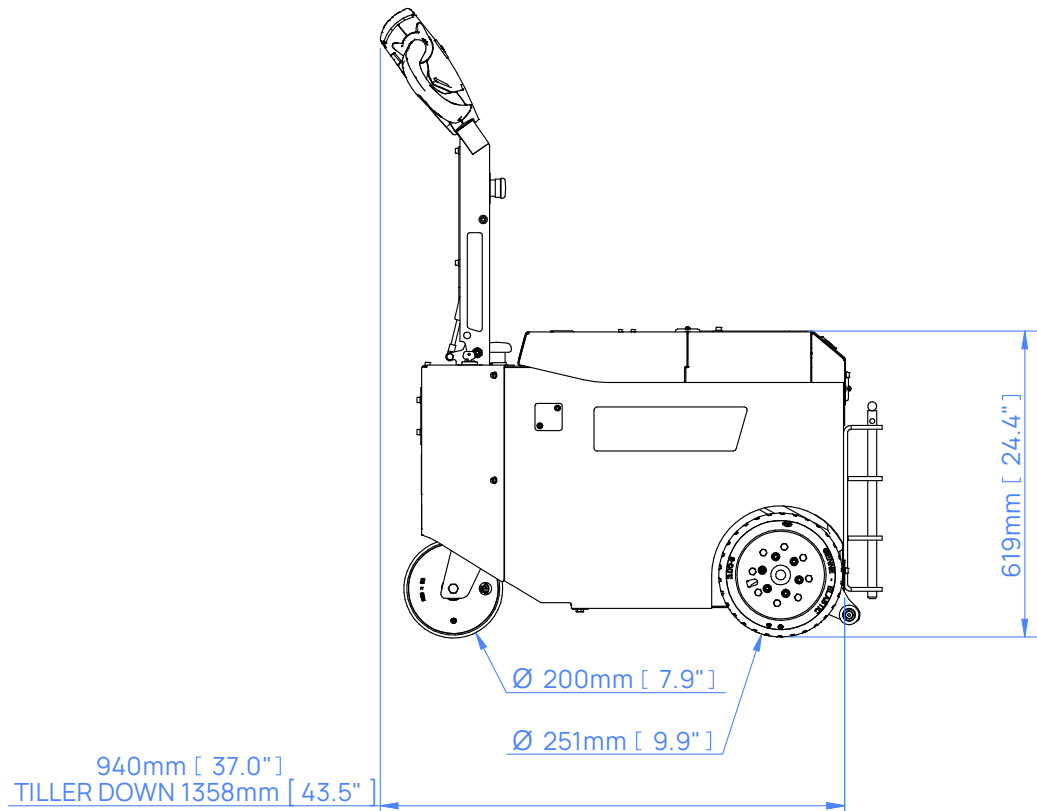
- Optional Battery Protection System maximises battery life
- High performance, interchangeable batteries for 24/7 operation
- Lithium batteries available

### Connection

- Easy and universal coupling options
- Lockable couplings to keep loads secure
- Variety of coupling options available



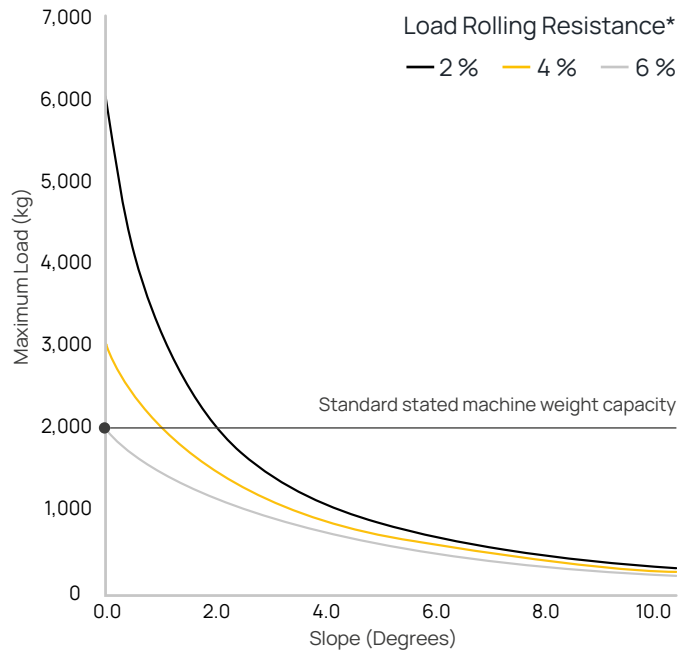
# Dimensions



# Slope Performance

The force required to move a load is based on load weight, slope angle and floor condition. Movement on a slope increases the force required to safely start, stop and move the load.

If your application involves moving a load up or down a slope, speak to our team who will be happy to advise on which machine will meet your requirements.





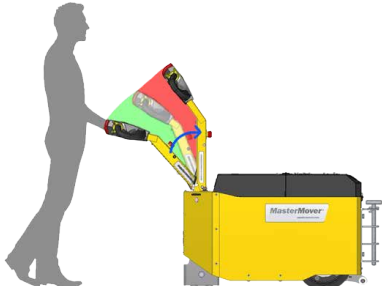
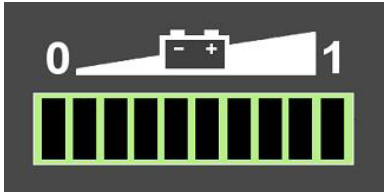



\* Variables that affect rolling resistance include the quality of floor/terrain and the type/condition/quality of castor wheels.


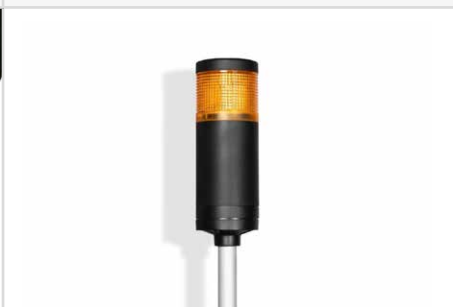

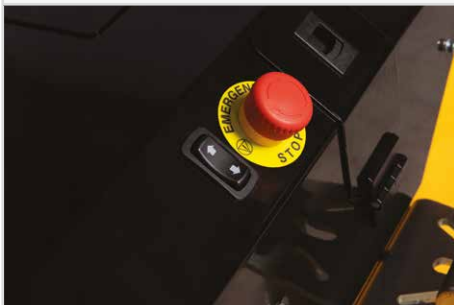
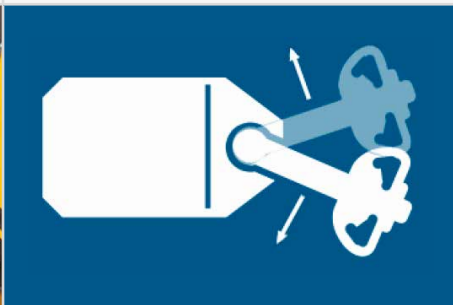


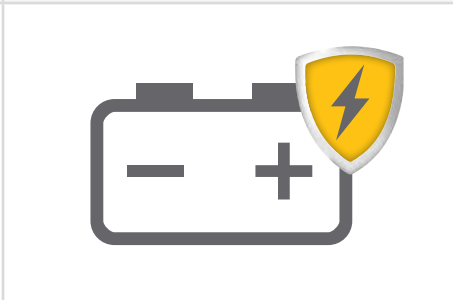
## In Application: MasterTow



# Machine Safety Features

Emergency Stop Button	Anti-Crush Button	Automatic Parking Brake
		
Warning Horn	Automatic Cut Off	Battery Discharge Indicator
		
Key Switch		
		

# Machine Options

<p>AGM Battery Z49-00300</p>	<p>Flashing Light &amp; Motion Beeper Z49-00500</p>	<p>Two Speed Selector Switch Z49-00505</p>
		
<p>Machine Crawl Coupling Assist Z49-00501</p>	<p>Tiller Steering Z49-00509</p>	<p>Fifth Wheel Z49-00503</p>
		
<p>Remote Control Z49-00504</p>	<p>Battery Protection System Z49-00506</p>	
		

# Couplings

Pin Coupling  
Z49-00600 male



Tow Ball Coupling  
Z49-00601 male



Tow Arm Coupling  
Z49-00602 male



Box Coupling  
Z49-00603 male | Z49-00700 female



No Coupling Z49-00604

# Couplings

## Custom Engineering

We understand that every application is different. Whether it's a custom coupling to connect to your load, modifying our electric tugs to work in a challenging environment, or designing an entirely new solution for your application, our Customer Engineering team are here to help.

For more information on our custom engineering capabilities, please visit: [mastermover.com/custom-solutions](https://mastermover.com/custom-solutions)  
If you'd like to discuss your requirements, speak to your sales representative or email: [sales@mastermover.com](mailto:sales@mastermover.com)



# Technical Specification

Machine	
Product code	Z49-00100
Maximum load (on castors   on rails)	2,000 kg   8,000 kg
Maximum force (push   pull)	785 N   1,177 N
Machine weight	321 kg
Battery weight (standard)	54 kg
Combined machine & battery weight (standard)	375 kg
Drive type	Electric
Braking	Regenerative
Parking brake	Electromagnetic
Drive wheel type	Solid Rubber
Castor wheel type	Polyurethane
Drive wheel diameter	260 mm
Drive motor power	0.8 kW
Controller type	DC
Standard machine speed	2 KPH
Hare mode speed (With two speed selector switch)	3 KPH
Tortoise mode speed (With two speed selector switch)	1.2 KPH
Maximum slope	10°
Voltage	24 v
Noise level	Motor ≤80 dBA   Flashing light ≤85 dBA   Horn ≤112 dBA
Metal work finish	Powder coat paint & zinc plated
IP rating	IP44
AGM Battery	
Product code	Z49-00300
Battery pack capacity	73 Ah
Maximum distance per charge*	16.6 km
Charge time (External   Internal charger)	5 hrs 30 mins   5 hrs 30 mins
External Charger	
Product code	Z49-00400
Input voltage	85 - 265 v
Hertz	50 - 60 Hz
Amps	15 A
Phase (single, three)	Single
IP Rating	IP30
Internal Charging	
Product code	Z49-00401
Input voltage	85 - 265 v
Hertz	50 - 60 Hz

# Technical Specification

Amps	15 A
Phase (single, three)	Single
IP rating	IP30
<b>Lithium Battery</b>	
Product code	Z49-00301
Battery pack capacity	79 Ah
Maximum distance per charge*	17.9 km
Charge time (External charger)	2 hrs
<b>External Charging</b>	
Product code	Z49-00402
Input voltage	85 - 265 v
Hertz	50 - 60 Hz
Amps	40 A
Phase (single, three)	Single
IP rating	IP30
<b>Coupling</b>	
Pin Coupling (male)	Optional
Tow Ball Coupling (male)	Optional
Tow Arm Coupling (male)	Optional
Box Coupling (male   female)	Optional
No Coupling	Optional
<b>Safety</b>	
Key Switch	Standard
Emergency Stop	Standard
Battery Discharge Indicator	Standard
Anti-Crush Button	Standard
Automatic Parking Brake	Standard
Warning Horn	Standard
Automatic Cut Off	Standard
Lifting Points   Tie-Down Points	Standard
<b>Options</b>	
Additional AGM Battery	Optional
Flashing Safety Light and Motion Bleeper	Optional
Machine Crawl Coupling Assist	Optional
Fifth Wheel	Optional
Two Speed Selector Switch	Optional
Battery Protection System	Optional
Remote Control	Optional
Tiller Steering	Optional

**MasterMover®**

mastermover.com

© Copyright 2023

UK  
CE ISO 9001 ISO 45001