

MasterMover®

SM200+

Battery powered electric tug



SM200+



Overview

Easily move heavy wheeled loads with the SmartMover range. Delivering effortless pushing, pulling and steering, the SmartMover improves safety, removes manual handling and drives operational efficiency.

With robust yet simple coupling systems, the SmartMover range ensures loads are secure and gives operators

complete control – even on slopes. Safety-focused, SmartMover electric tugs feature anti-crush functionality, emergency stop, variable speed settings and intuitive controls to keep operators, loads and equipment safe.

Benefit from versatility with various coupling options available, including a hydraulic clamp that delivers total load security.

Key Features

Safety

- Audible horn, flashing beacon, performance monitoring and emergency stop
- Intuitive parking brake stops loads, even on slopes
- Multiple speed settings for maximum control

Performance

- Two high-powered motors for consistent performance
- 180° steering angle provides precise handling
- Powerful performance both indoors, outdoors and on slopes

Power

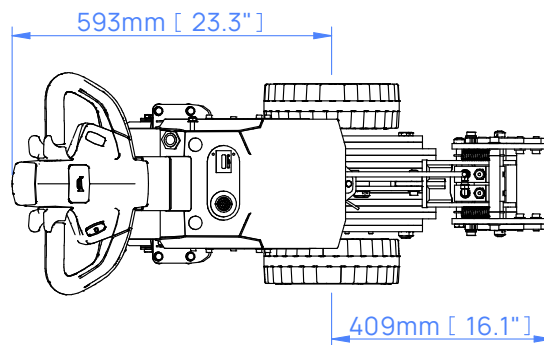
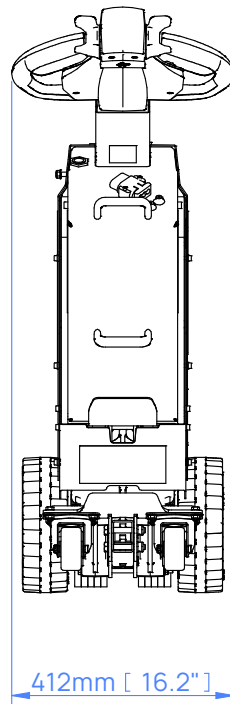
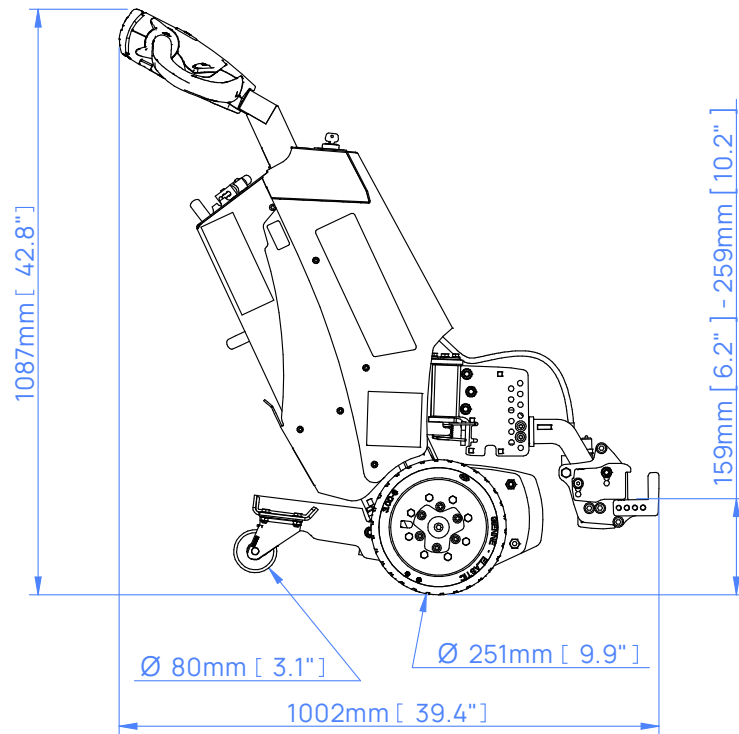
- Interchangeable, maintenance-free batteries for 24/7 operation
- Power display for real-time data
- Smart charging system to maximum battery longevity

Connection

- Secure and easy-to-use coupling options, including hydraulics
- Variable coupling options for maximum flexibility
- Custom couplings available



Dimensions

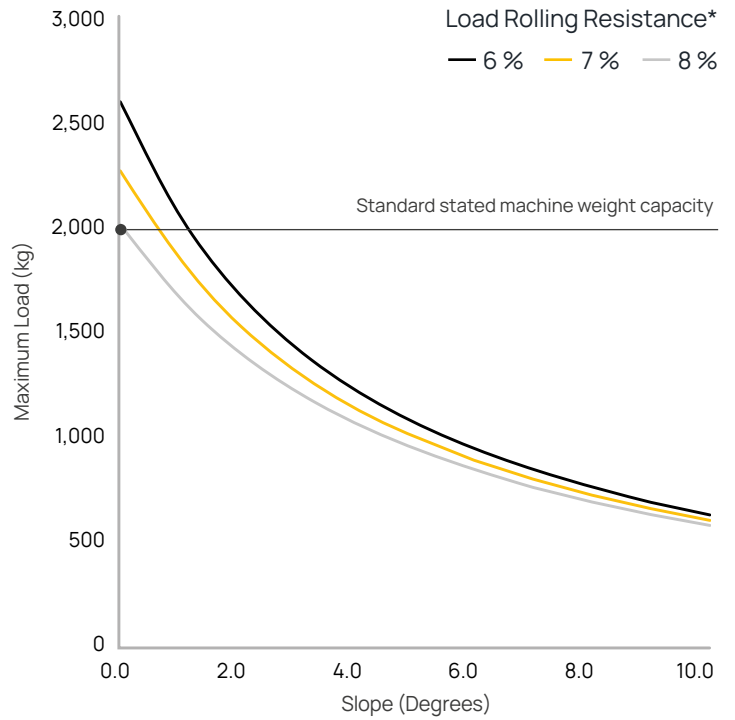


Slope Performance

The force required to move a load is based on load weight, slope angle and floor condition. Movement on a slope increases the force required to safely start, stop and move the load.

If your application involves moving a load up or down a slope, speak to our team who will be happy to advise on which machine will meet your requirements.



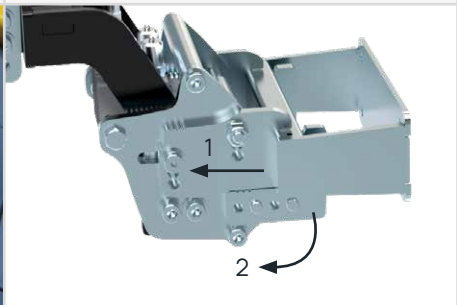

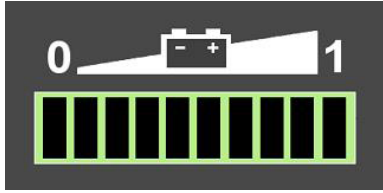

* Variables that affect rolling resistance include the quality of floor/terrain and the type/condition/quality of castor wheels.






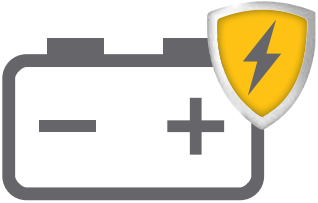
In Application: SmartMover




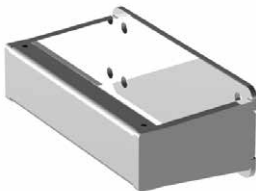





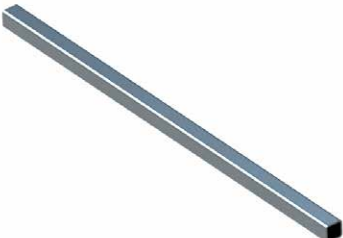

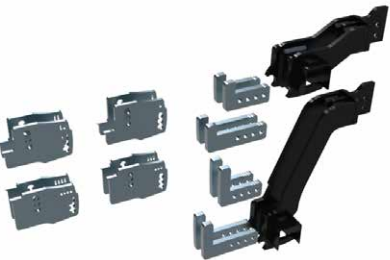


Machine Safety Features

Anti-Crush Button	Warning Horn	Two Stage Lock and Load
		
Automatic Parking Brake	Battery Discharge Indicator	Key Switch
		

Machine Options

Additional AGM Battery Z36-00300	Flashing Light & Motion Beeper Z36-00501	Two Speed Selector Switch Z36-00500
		
Battery Protection System		
		

Couplings

<p>A-Frame Z36-00600 male Z35-00700 female - straight</p>		
		
<p>A-Frame Z36-00600 male Z35-00701 female - angled</p>		
		
<p>Box Section Sizes 20x20 to 75x75mm</p>		
		
<p>Variable Kit Z36-00601 male</p>	<p>Rollcage Pivot Link Bar</p>	<p>Xriss-Xcross Straps</p>
		

Couplings

Custom Engineering

We understand that every application is different. Whether it's a custom coupling to connect to your load, modifying our electric tugs to work in a challenging environment, or designing an entirely new solution for your application, our Customer Engineering team are here to help.

For more information on our custom engineering capabilities, please visit: mastermover.com/custom-solutions
If you'd like to discuss your requirements, speak to your sales representative or email: sales@mastermover.com

Technical Specification

Machine	
Product code	Z36-00101
Maximum load (on castors on rails)	2,000 kg 8,000 kg
Maximum force (push pull)	1,570 N 1,570 N
Machine weight	110 kg
Battery weight (standard 28 Ah)	24 kg
Combined machine & battery weight (standard 28 Ah)	134 kg
Drive type	Twin Electric Motor
Braking	Regenerative
Parking brake	Electromagnetic
Drive wheel type	Non-Marking Rubber
Castor wheel type	Non-Marking Polyurethane
Drive wheel Diameter	250 mm
Drive motor power	2 x 0.24 kW
Controller type	DC
Standard machine speed	2 KPH
Hare mode speed (With two speed selector switch)	3 KPH
Tortoise mode speed (With two speed selector switch)	1.2 KPH
Maximum slope	10°
Voltage	24 v
Noise level	Motor ≤80 dBA Flashing light ≤85 dBA Horn ≤112 dBA
Metal work finish	Powder coat paint & zinc plated
IP rating	IP44
Hydraulic Specification	
Clamp Force at the Coupling	775 kg
AGM Battery	
Product code	Z36-00300 Z36-00301
Battery pack capacity	28 Ah 35 Ah
Maximum distance per charge*	4.2 km 5.3 km
Charge time	5 hrs 30 mins 7 hrs
External Charger	
Product code	Z36-00400
Input voltage	85 - 265 v
Hertz	50 - 60 Hz
Amps	5 A
Phase (single, three)	Single
IP Rating	IP30

Technical Specification

Lithium Battery	
Product code	Z36-00302
Battery pack capacity	39 Ah
Maximum distance per charge*	6 km
Charge time (External charger)	1 hrs 45 mins
External Charging	
Product code	Z36-00401
Input voltage	85 - 265 v
Hertz	50 - 60 Hz
Amps	25 A
Phase (single, three)	Single
IP rating	IP30
Coupling	
A-Frame - Straight (male I female)	Optional
A-Frame - Angled (male I female)	Optional
Box Section	Optional
Variable Kit	Optional
Rollcage Pivot Link Bar	Optional
Xriss-Xcross Straps	Optional
Safety	
Key Switch	Standard
Automatic Parking Brake	Standard
Battery Discharge Indicator	Standard
Anti-Crush Button	Standard
Warning Horn	Standard
Two Stage Lock to Lock	Standard
Options	
Additional AGM Battery	Optional
Flashing Safety Light and Motion Bleeper	Optional
Two Speed Selector Switch	Optional
Battery Protection System	Standard

MasterMover®

mastermover.com

© Copyright 2023

UK
CE ISO 9001 ISO 45001